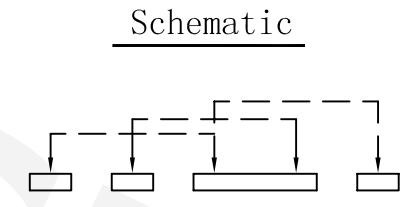
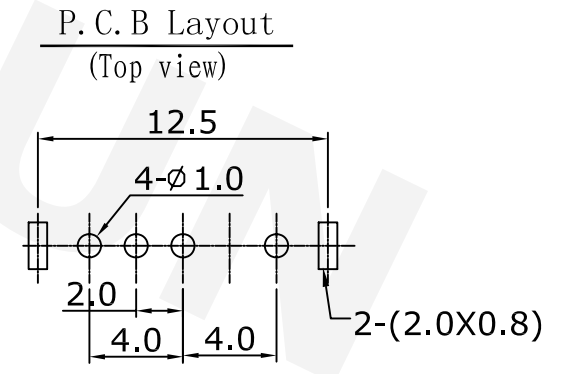
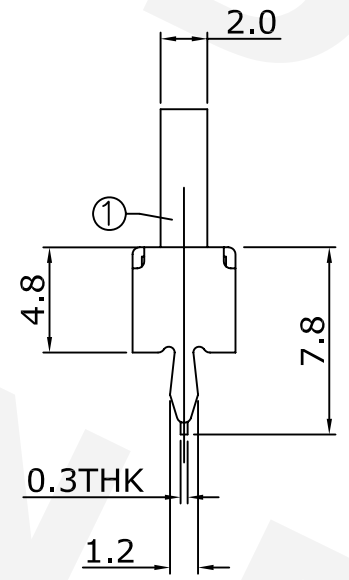
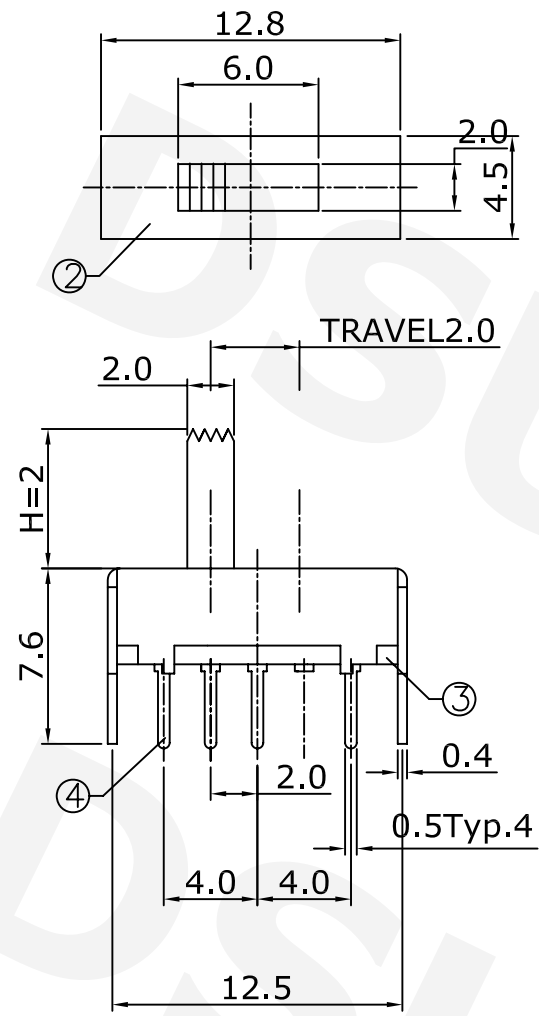


REV	LTR	DESCRIPTION	DATE	REVISER	APPD



**东莞市鼎尚电子有限公司**  
DONGGUAN DSUN ELECTRONICS CO.,LTD.

UNIT:MM	TITLE: SLIDE SWITCH			
	MODEL: SS-13D07			
PAPER NO: A4	UP TO 1.5mm: ±0.1	ANGULAR	SCALE	VER
PAGE 1 OF 1	ABOVE 1.5mm: ±0.2	±1°	FULL	03
DESIGNER BY: KING LI	CHECK BY: XIAOMING HU	APPROVED BY: RONG zhon		

④	TERMAINAL	4	BRASS	AG-PLATED
③	TERMAINALBASE	1	PHENOL IC RESIN	
②	FRAME	1	ATEEL STRIP	NI-PLATED
①	KNOB	1	POM	BLACK
NO.	DESCRIPTION	QTY	MATERIAL	PLATING